

CHISEL

PRECAST

Precast concrete steps and stones with the look of authentic chiseled stone.



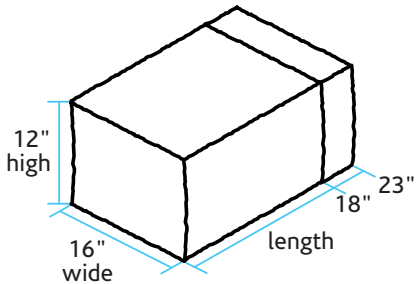


CHISEL STONE

Less than half the weight of natural stone
 Preselected shapes and lengths for ease of installation
 Stackable and easy to handle

SIZE | 12" high x 16" wide
 Length of stone ranges from 18" to 23".
 This variation in length adds to the authenticity of the look of natural stone.

WEIGHT | 100 lbs to 150 lbs depending on stone length.



Stones are 8 pieces per skid and include a minimum of 4 variations.



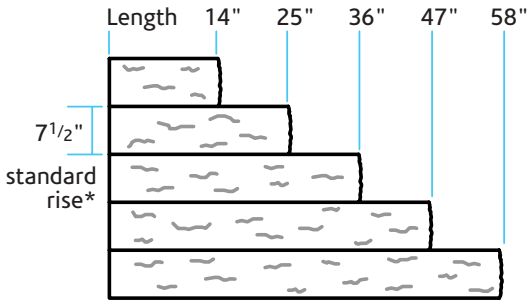
CHISEL STEPS

Significant cost savings over natural stone
 Incremental size options
 Consistent measurements

WIDTH | Available in 4', 5', 6' and 8', widths.

RISE | Standard rise is 7 1/2".
 A 6" height rise is available by special order.

SIZES			
4' width 1 - 5 risers	5' width 1 - 4 risers	6' width 1 - 4 risers	8' width 1 - 2 risers
4' x 14"	5' x 14"	6' x 14"	8' x 14"
4' x 25"	5' x 25"	6' x 25"	8' x 25"
4' x 36"	5' x 36"	6' x 36"	
4' x 47"	5' x 47"	6' x 47"	
4' x 58"			



Chisel products are HOLLOW



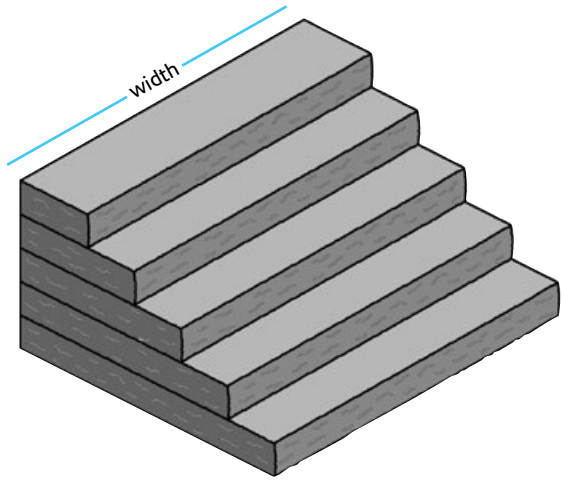
CHISEL FIREPIT

Complete 12 piece kit
 Simple to assemble

FINISHED SIZE
 11" high x 47" wide
 32" inside diameter

The firepit kit includes 8 building stones and 4 pieces of trim stone.

A customized steel ring is also available.

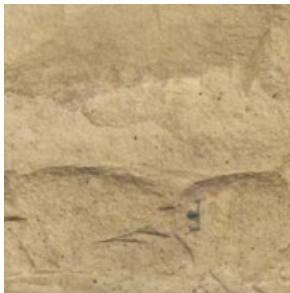




COLOURS

NATURAL-LOOKING TWO-TONE EFFECT

These swatches indicate general colour and finish only. A natural variance in colour and finish is to be expected. **Colour may vary from piece to piece.**



BUFF



GRANITE



EBONY



JAVA

WE KNOW CONCRETE

With over 35 years of experience under our belt, we fabricate concrete products using the best of both traditional and today's leading edge technology. All of our products are designed and manufactured to withstand the harsh Canadian climate and meet or exceed requirements of CSA23.4 and ASTM C1364.



1266 ERIE STREET, STRATFORD, ON CANADA N5A 6S4
TEL. 519.271.6590 | FAX. 519.271.0264 | TOLL FREE 1.877.265.6590
edsconcrete.com